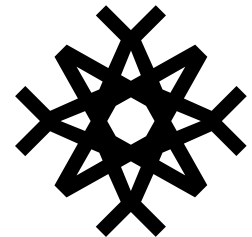


WATER-POWERED DRILLING

TECHNICAL SPECIFICATION: W100 JET GROUTING HAMMER

The combination of a down-the-hole hammer with an integrated jet monitor enables drilling and jet grouting in difficult formations. The innovative Wassara Jet Grouting Hammer provides a solution for single pass jet grouting with single fluid in most formations.

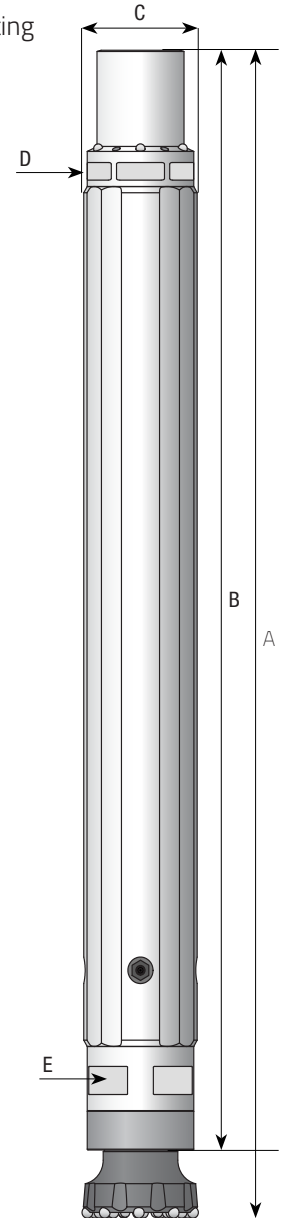
Where boulder and other obstacles have made jet grouting complicated, the Wassara Jet Grouting Hammer makes it easier. This hammer features an integrated check valve in the backhead.



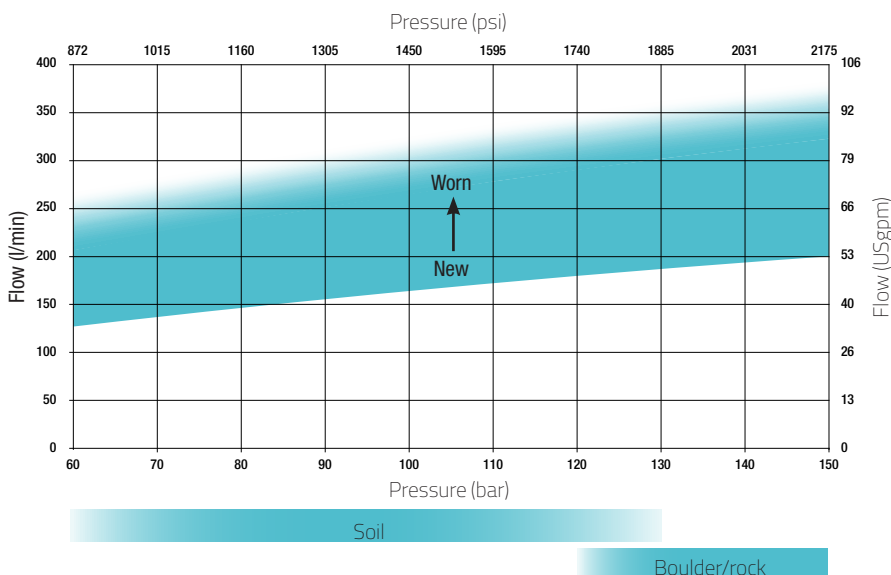
wassara

Technical specifications – W100 JG.M16

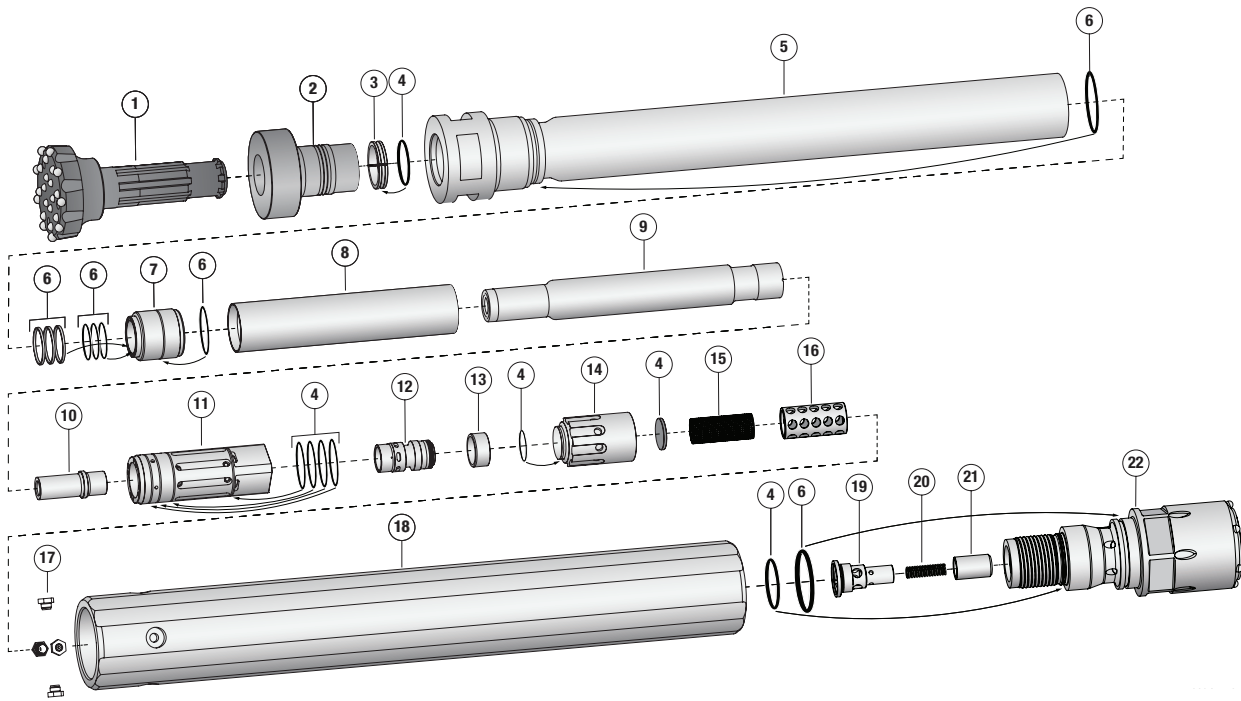
Length A	1 457 mm (57.4")
Length B	1 372 mm (54")
Diameter C	Ø 149 mm (5.7")
Size D	125 x 44 mm (4.9 x 1.7")
Size E	120 x 35 mm (4.7 x 1.4")
Weight (excl. drill bit)	140 kg (309 lbs)
Bit diameter	Ø 153 / 165 mm (6 / 6.5")
Operating pressure interval	60 - 150 bar (870 - 2 175 psi)
Water consumption interval	130 - 354 l/min (34 - 94 USgpm) new to worn
Frequency at maximum operating pressure	55 Hz (3 300 blows/min)
Feed force, formation dependant	5 000 - 20 000 N (2 000 - 4 500 lbf)
Rotation speed, formation dependant	40 - 70 rpm
Rotation torque, formation dependant	1 000 - 4 000 Nm (740 - 2 950 lbf-ft)
Drill pipe	W Drill rod Duplex Ø 114.3 mm (4½"), special JG-thread
Recommended water pump	WASP100D / WASP100E VSD, 360 l/min (95 USgpm) @ 200 bar (2 900 psi)
Grout	
Nozzle (4 sockets available)	3.0 - 6.0 mm (0.118 - 0.236")
Flow, max	550 l/min (145 USgpm)
Pressure, max	450 bar (6 526psi)



WATER PRESSURE/FLOW CHART



PARTS LIST: W100JG.M16



Pos	Detail	Part no
	Jet Grouting Hammer W100JG, Ø 149 mm	1501016
1	Drill bit Ø 153 mm, Convex SB	3000194
	Drill bit Ø 165 mm, Flat SB	3000105
2	Chuck	1001105
3	Bit retainer	1002879
4	Seal kit 1, 2	1002078
5	Hammer case	1500957
6	Seal kit grout	1002411
7	Piston bushing 1, 2	0033001
8	Inner tube	1000129
9	Piston 1, 2	1000798
10	Sliding case	0043007
11	Valve house 2	0013008
12	Valve	1000345
13	Sleeve	1000165
14	Guided lid	1000999
15	Filter 1, 2	1500940
16	Filter support	1500939

Pos	Detail	Part no
17	Nozzle Ø 3.0 mm	1500143-3.0
	Nozzle Ø 3.5 mm	1500143-3.5
	Nozzle Ø 4.0 mm	1500143-4.0
	Nozzle Ø 4.5 mm	1500143-4.5
	Nozzle Ø 5.0 mm	1500143-5.0
	Nozzle Ø 5.5 mm	1500143-5.5
	Nozzle Ø 6.0 mm	1500143-6.0
	Nozzle blind M16	1500105
18	Grout case	1501435
19	Check valve steering	1501225
20	Check valve spring CV	1002139
21	Check valve shutter CV	1000364
22	Backhead with special JG-thread	1500938

<i>Spare part kit 1 JG</i>	1003126
<i>Spare part kit 2 JG</i>	1003127
<i>Spare part kit JG Check valve</i>	1003143