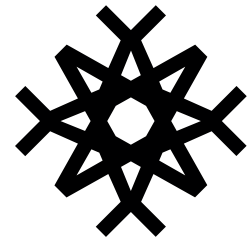



WATER-POWERED DRILLING

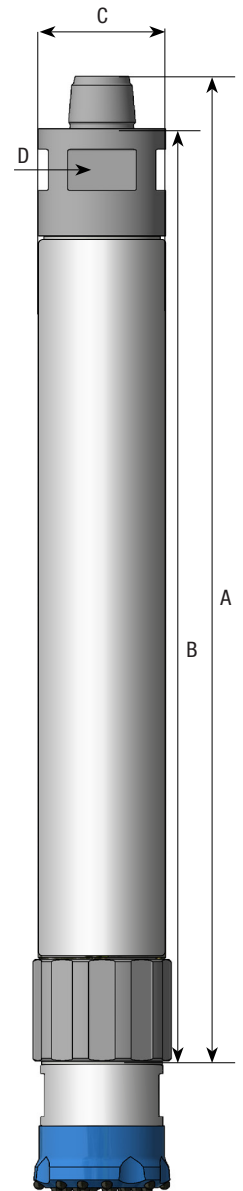
TECHNICAL SPECIFICATION: W280 HAMMER



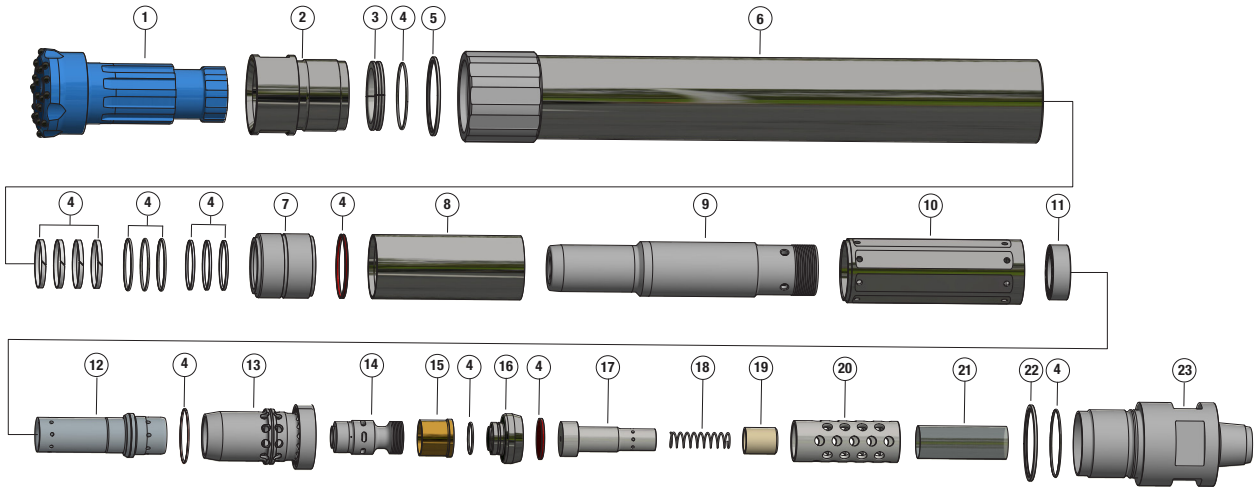
Wassara

The Wassara technology uses water to power the DTH hammer. This makes it the ideal choice for drilling in sensitive areas as well as for drilling long straight holes. The water-powered hammer is capable of penetrating almost any formation while maintaining speed and accuracy.

Technical specifications – W280.210	
Length A	2 540 mm (100")
Length B	2 413 mm (95")
Diameter C	Ø 285 mm (11.2 ")
Size D 	240 mm (9.45")
Weight (excl. drill bit)	915 kg (2 017 lbs)
Bit diameter	Ø 305 / 311 mm (12" / 12.28")
Casing outer diameter	406 – 508 mm (16" / 20")
Operating pressure max	50 – 150 bar (2175 psi)
Frequency at maximum operating pressure	30 Hz (1 800 blows/min)
Feed force, formation dependent	60 – 120 kN
Rotation speed, formation dependent	25 - 50 rpm
Water consumption	1 200 l/min at 100 bar
Drill rod	273x12,5 mm (11") Thread API 6 5/8 REG
Recommended water pump	2 pcs WASP200D 800 l/min (211 USgpm) @ 160 bar (2 320 psi)
Bit shank	Numa 125



PARTS LIST: W280.210



Pos	Detail	Part no
	Hammer W280, Ø 285 mm	1500590-285
1	Drill bit	Numa shaft
	Drive plates	1500543
	Chuck bushing	1003239
2	Chuck (incl. chuck bushing)	1500587
3	Bit retainer	1003499
4	Seal kit	1003190
5	Shims (chuck-end)	1501911
6	Hammer case	1501923
7	Piston bushing	1500584
8	Inner tube	1500581
9	Piston	1500588
10	House retainer	1501838
11	House retainer ring	1501839

Pos	Detail	Part no
12	Sliding case	1501216
13	Valve house	1500582
14	Valve	1500589
15	Sleeve	1501345
16	Lid	1500585
17	Check valve shutter guide	1501344
18	Check valve spring	1002624
19	Check valve shutter	1501343
20	Filter support	1500496
21	Filter	1500497
22	Shims (backhead-end)	1501910
23	Backhead 6 5/8 API Reg	1500499